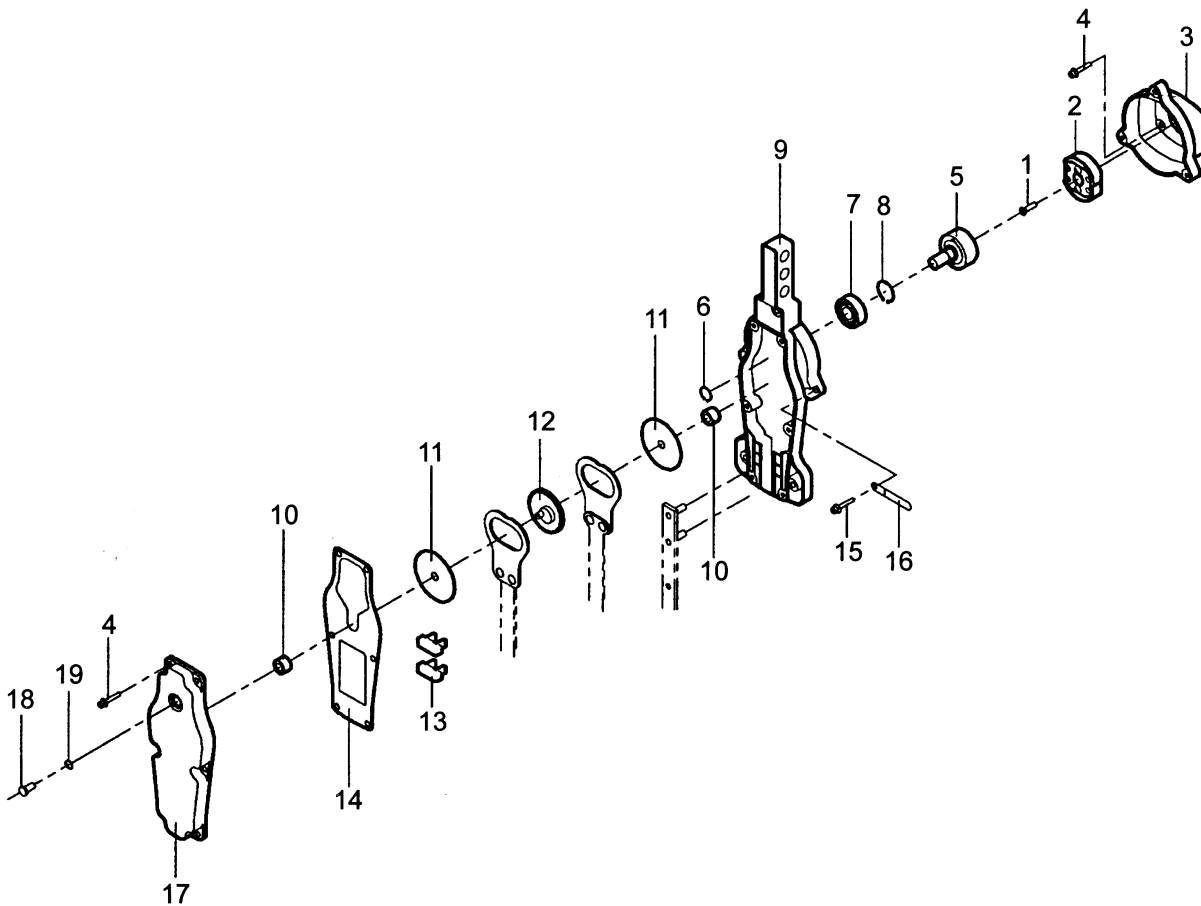


**TME2200**  
GEAR CASE

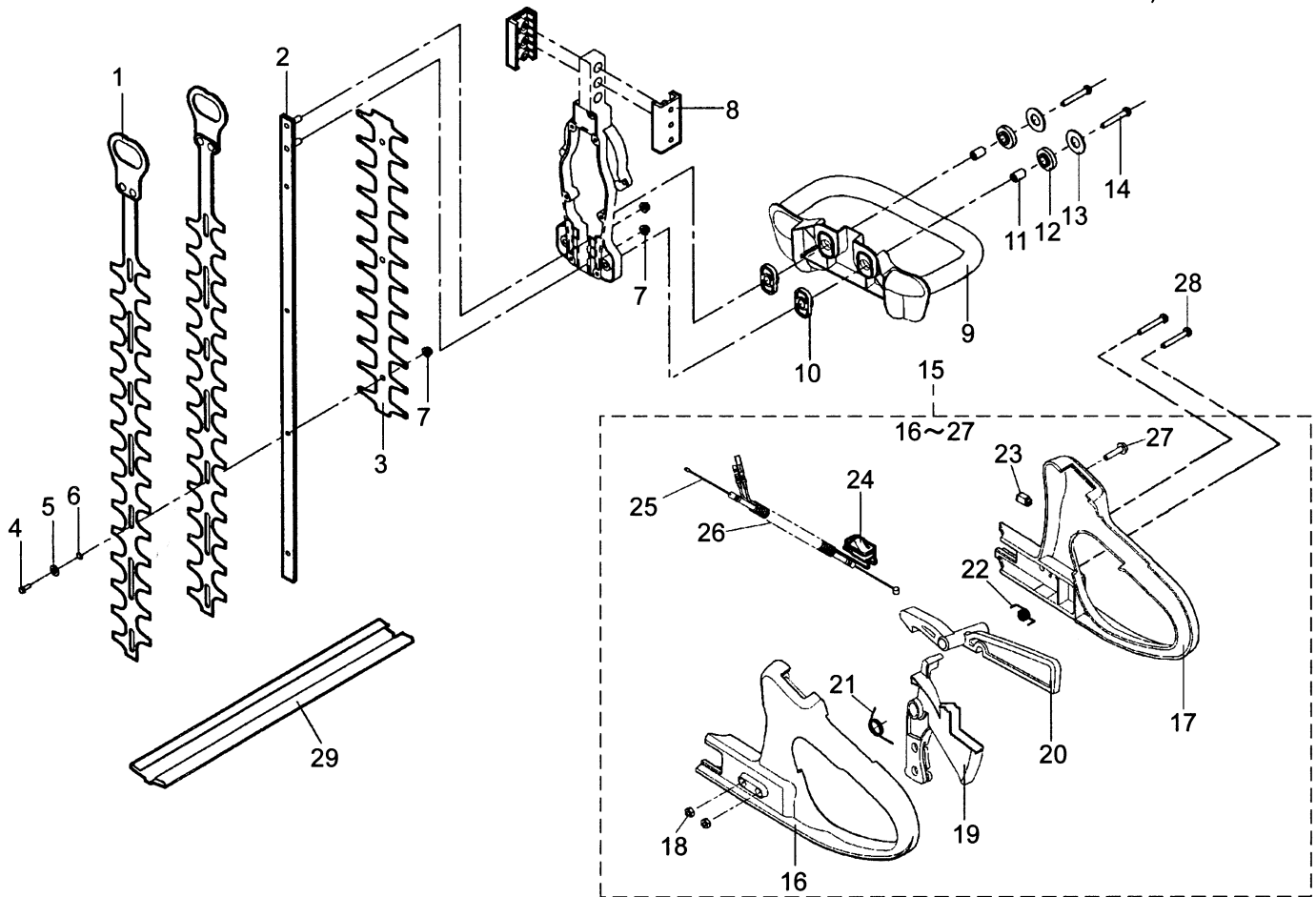


**PARTS LIST**

46014-190

REF. No.	PARTS No.	PARTS NAME	GEAR CASE		1/2		May.26,2003
			Q'TY	PRICE( )	RECOMM.(%)	REMARKS	
			INCLUDING				
1	461L 0620	(+)FLAT SCREW	1			3	M6 × 20
2	71019 114	CLUTCH SHOE ASSY	1			5	
3	51070 130	ENGINE BASE	1			3	
4	423U 0515	SOCKET SCREW FLANGE	10			4	M5 × 15
5	11014 221	CLUTCH DRUM C.P.	1			5	
6	812V 1500	C-SNAPRING FOR SHAFT	1			5	φ 15
7	917B 6202	BEARING	1			4	6202 ZZ C3
8	811V 3500	C-SNAPRING FOR HOLE	1			5	φ 35
9	51068 109	CAM CASE	1			1	
10	76007 182	BUSH	2			4	
11	11050 176	FIXING PLATE	2			1	
12	78004 304	GEAR	1			5	
13	61010 113	FELT PACKING	2			5	
14	61019 224	PACKING	1			10	
15	423U 0518	SOCKET SCREW FLANGE	3			3	M5 × 18
16	68027 109	CLIP	1			3	
17	51069 105	CAM CASE COVER	1			1	
18	429U 0808	SOCKET SCREW	1			3	M8 × 8
19	214B 0800	O-RING	1			4	S8
20							
21							
22							
23							
24							
25							
26							
27							
28							

**TME2200**  
**CUTTER, HANDLE**



**PARTS LIST**

46014-190

REF. No.	PARTS No.	PARTS NAME	CUTTER, HANDLE		2/2		May.26,2003
			Q'TY INCLUDING	PRICE( )	RECOMM.(%)	REMARKS	
1	91053   127	CUTTER A	2			15	
2	11051   132	CUTTER GUIDE	1			10	
3	51090   122	PROTECTOR	1			3	
4	31029   110	STEP BOLT(S)	4			6	22L
5	670V   0700	CONICAL SPRING WASHER	4			6	M6
6	68002   101	CUTTER WASHER	4			6	M6
7	584L   0600	U-HEXAGON NUT FLANGE	6			4	M6
8	36006   128	ABSORBER	2			4	
9	51027   246	HANDLE	1			3	
10	36005   176	VIBRO-ISOLATING RUBBER	2			3	
11	11083   381	COLLAR	2			3	
12	36005   169	VIBRO-ISOLATING RUBBER	2			3	
13	68036   268	WASHER	2			3	Φ5.5 × Φ25 × t1.2
14	413U   0530	SOCKET SCREW FLANGE	2			3	M5 × 30(SW)
15	71014   390	HANDLE ASS'Y	1			3	
16	51106   135	HANDLE R	1			3	
17	51106   136	HANDLE R	1			3	
18	562L   0500	U-HEXAGON NUT		2		5	M5
19	11095   165	LEVER	1			5	
20	11095   164	LEVER	1			5	
21	68013   321	SPRING	1			3	
22	68013   367	SPRING	1			3	
23	91033   135	BLIND COVER	1			5	
24	71148   160	STOP SWITCH ASS'Y	1			10	
25	91001   323	THROTTLE WIRE	1			3	
26	41003   187	TUBE	1			3	
27	474L   0420	(+)TAPPING SCREW	4			3	M4 × 20
28	412L   0540	SOCKET SCREW	2			3	M5 × 40
29	36065   433	COVER	1			3	